

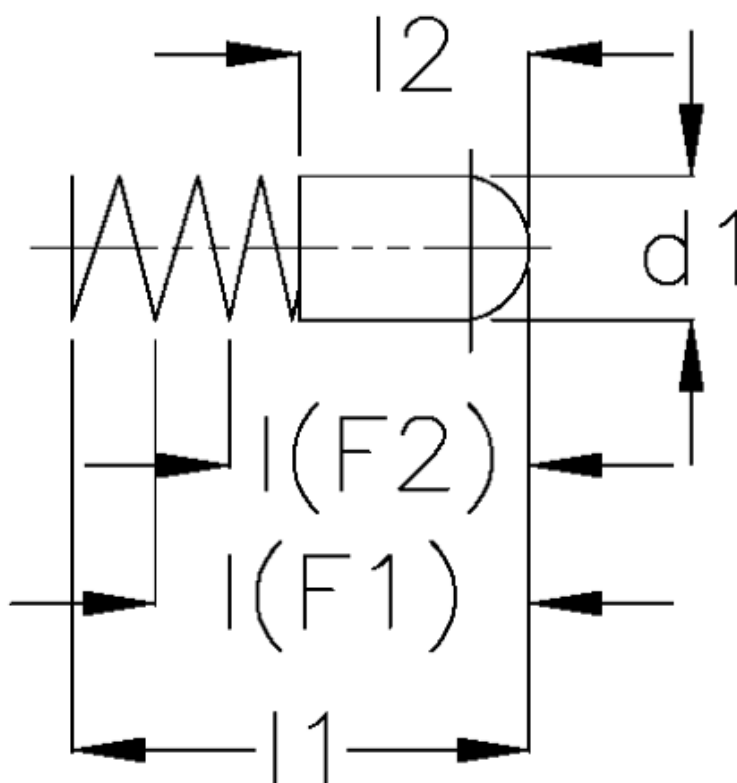
Data Sheet



Article number: 20028400

Description: E+G
Spring plunger GN 610-3,4-12-H

Measures



d1	= 3.4
l(F1)	= 9.0
l(F2)	= 7.8
l1	= 12
l2	= 6.0
Spring pressure (F1) N	= 5.0
Spring pressure (F2) N	= 7.0